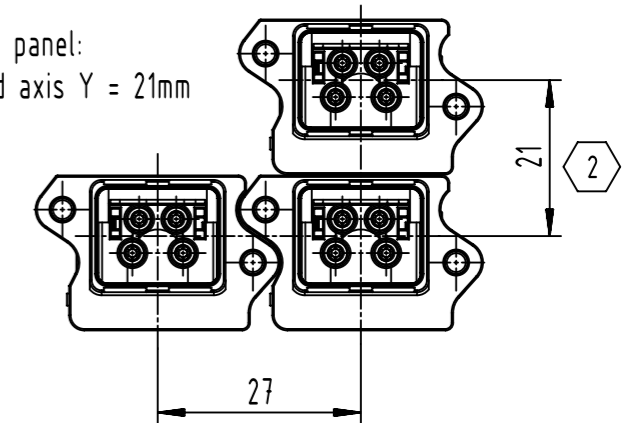


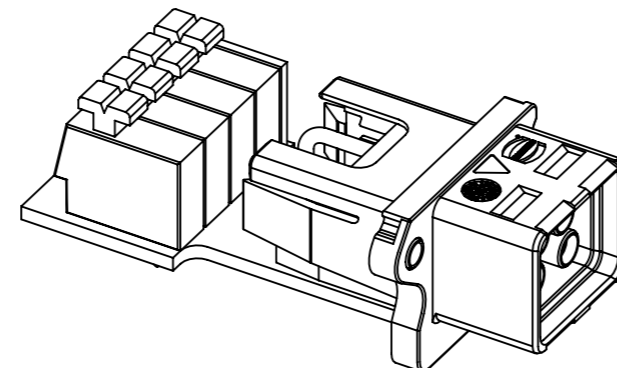
connector pitch on panel:
axis X = 27mm and axis Y = 21mm



2 connector pitch with coding clip 0945840002X Y = 23mm

1 2x M2.5; screws acc. to ISO 4762;
please order separately; bolting torque 0.3Nm - 0.5Nm

further information see product data sheet



	All Dimensions in mm Original Size DIN A3	Scale 2:1	Free size tol.	Ref.	
				Sub.	
	All rights reserved Department EL PD	Created by STORCK	Inspected by TADJE	Standardisation 302077	Date 2021-04-29
		Title HARTING PushPull V4 Compact Housing 48V/12A			State Final Release
	D-32339 Espelkamp	Type TB	Number 09462454021	Doc-Key / ECM-Nr. 100671827/UGD/000/E 500000194222	Page 1/1
				Rev. E	